

096-1 SOLAR RADIATION SENSOR

SERVICE MAINTENANCE, REPAIR, SPARE PARTS

Met One Instruments, Inc.; 1600 NW Washington Blvd.; Grants Pass, OR. 97526
Ph. 541-471-7111; Fax 541-471-7116; E-mail: service@metone.com

REPAIR AND FIELD MAINTENANCE

A complete repair and service department is maintained at our factory in Grants Pass, Oregon, and at our regional service facility in Dallas, Texas. Most repairs can be made in the field by a simple substitution of components. Some repairs do require recalibration following the replacement of faulty components. If calibration standards are not available, the instrument can be returned to our service facility. The turn around time is generally less than five (5) working days.

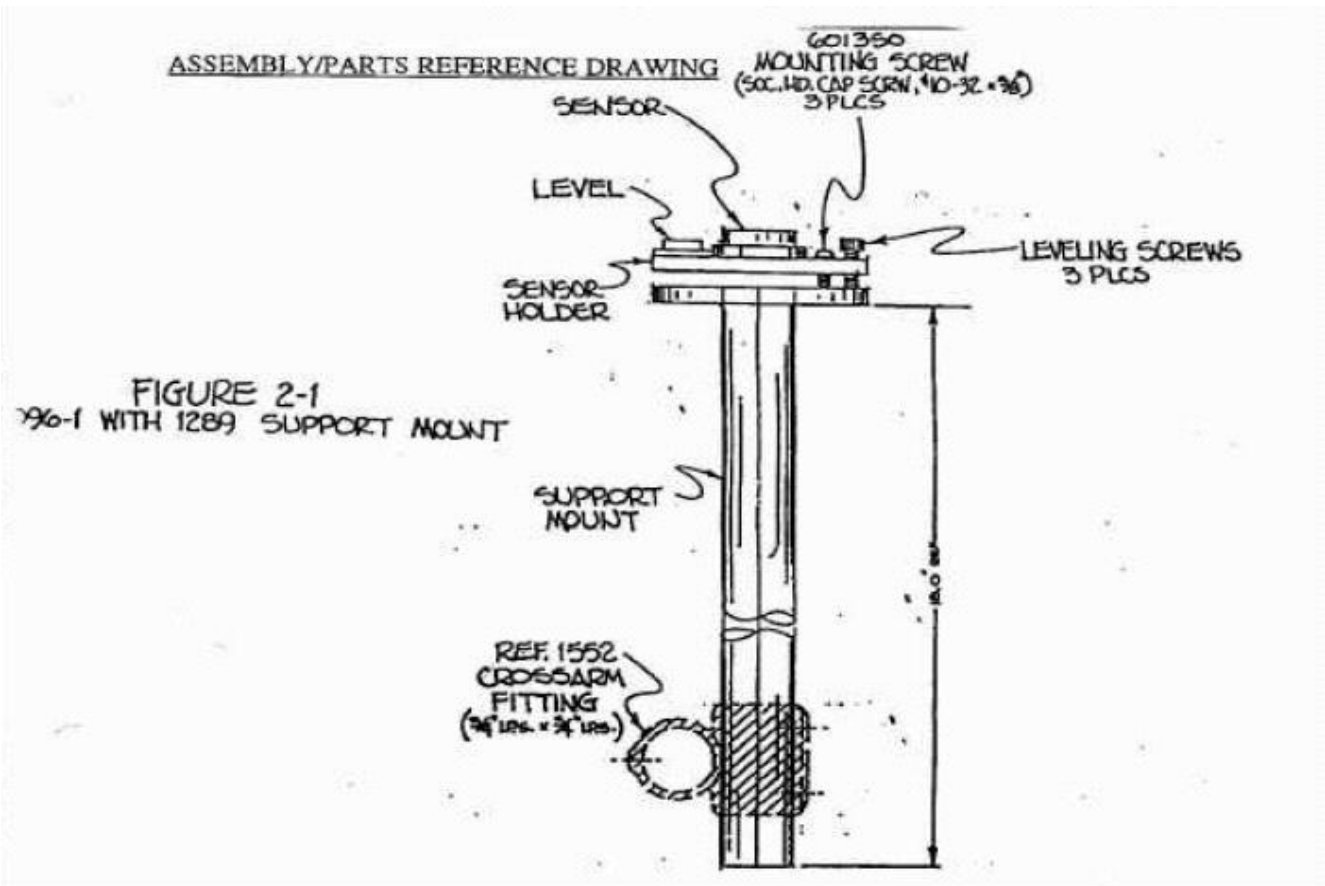
RETURN AUTHORIZATION

Prior to any product return, please contact the factory for a return authorization number.

BASIC SERVICE(S)

ORDER #	DESCRIPTION
SVC0059	CALIBRATION, 096 SOLAR RAD. SENSOR

****CONSULT FACTORY FOR CABLE PRICING**



Please note: Calibration services only available June through September for this item