

013 Wind Speed Sensor

023 Wind Direction Sensor

The **013 Wind Speed Sensor** and **023 Wind Direction Sensor** have been specifically designed to accurately and reliably measure wind velocity and direction under the most adverse environmental conditions. These sensors are particularly suited to remote, unattended monitoring applications where they will encounter high winds and/or heavy icing conditions. Constructed of corrosion resistant stainless steel and anodized aluminum they are also well suited to coastal and maritime applications.

Features

013 Wind Speed Sensor

- Low starting threshold
- Stainless steel ball bearings for greatest accuracy and operating life
- Built-in ice skirt allowing operation with a 2" (5.1 cm) ice load
- Robust aluminum cup assembly
- Sealed magnetic reed switch

023 Wind Direction Sensor

- Low starting threshold of 1.5 mph (.67 m/s)
- Unique "Mechanical Average System" reduces sensor wear
- Built-in alignment and calibration fixture
- Built-in ice skirt allowing operation with a 2" (5.1 cm) ice load
- Slotted shaft coupler for increased sensor life



023 Wind Direction Sensor

013 Wind Speed Sensor

Specifications

013 Wind Speed Sensor

Performance Characteristics

Range:	0-150mph (67m/s)
Starting Threshold:	1.0 mph (0.45 m/s)
Accuracy:	±0.25 mph (± 0.11 m/s) or 2%
Distance Constant Standard:	Less than 15 ft (4.5 m)
Operating Range:	-50°C to +70°C (-58°F to +158°F)
Contact Rating:	10 mA maximum

Physical Characteristics

Weight:	14 oz (.4 kg)
Finish:	Black anodized aluminum

Cable & Mounting

PN 1805	Cable Assembly; specify length in feet or meters
Mounting:	PN 191 Crossarm Assembly

Continued

013 Wind Speed Sensor

023 Wind Direction Sensor

Specifications

023 Wind Direction Sensor

Performance Characteristics

Electrical Range:	0° -360°
Maximum Wind Speed:	150 mph (67 m/s)
Accuracy:	±10° standard (Optional ±5° order PN 023-0DEG)
Delay Distance:	15 ft (4.5m)
Damping Ratio:	0.3
Potentiometer	
- Sand, dust, fungus:	MIL-E-5272
- Salt spray:	MIL-E-12934
Resistance Value:	10 K ohms
Operating Range:	-50°C to +70°C (-58°F to +158°F)

Physical Characteristics

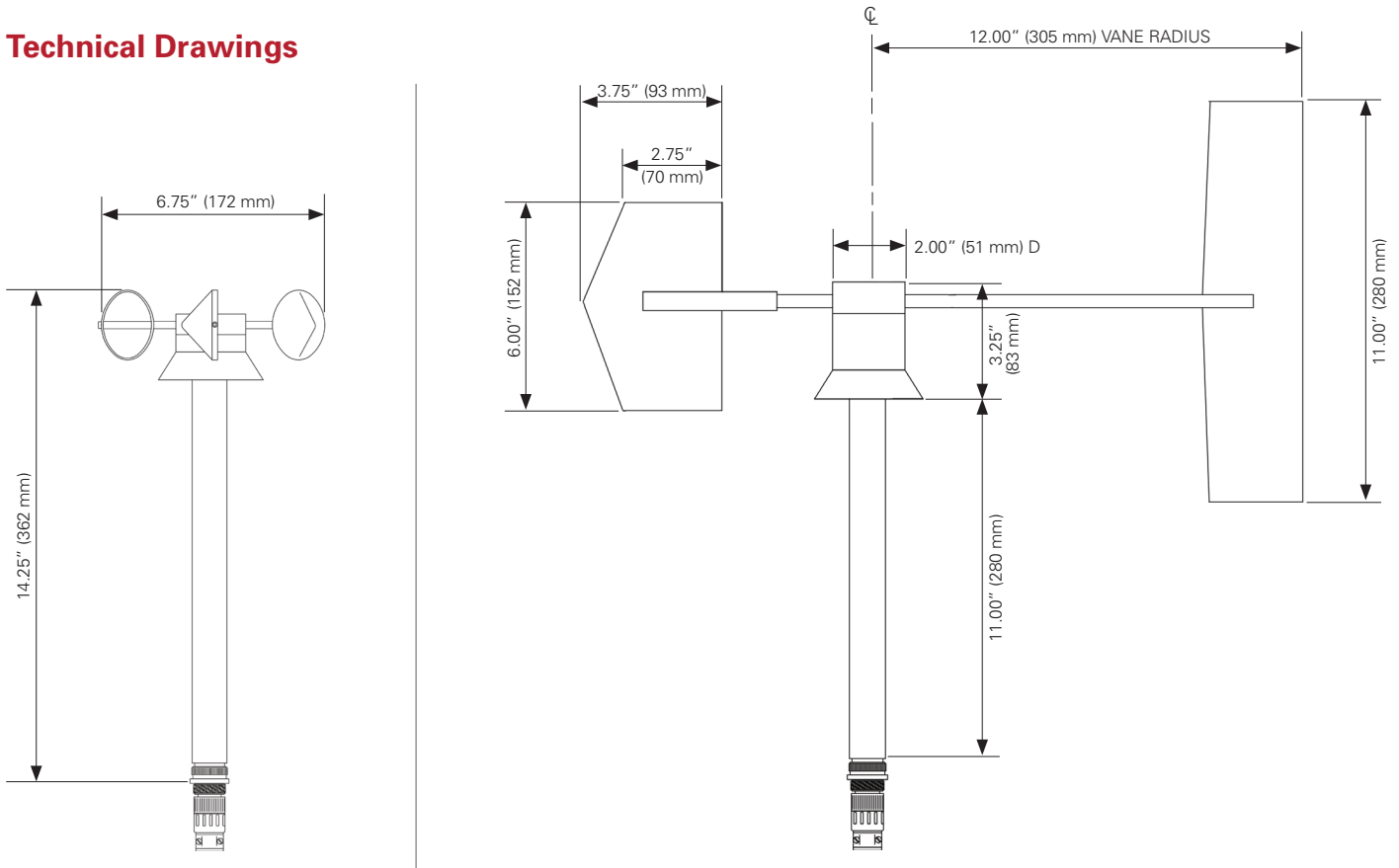
Weight:	1.5 (.68 kg)
Finish:	Black anodized aluminum

Cable & Mounting

PN 1806	Cable Assembly; specify length in feet or meters
Mounting:	PN 191 Crossarm Assembly (contains orientation lock)

Specifications are subject to change at any time.

Technical Drawings



013 Wind Speed Sensor

023 Wind Direction Sensor

REV MAR. 2018



Met One
Instruments, Inc.

1600 Washington Blvd. • Grants Pass, Oregon 97526 • 541.471.7111 • www.metone.com

sales@metone.com