

370-380 Precipitation Gauges

370-380 Series all-metal precipitation gauges measure rain and/or snow in all environments using a tipping bucket mechanism. The economical tipping bucket design allows accurate, repeatable measurements, requiring no regular maintenance. Each model in the 370-380 Series is optimized to meet particular site and sampling requirements and exceeds EPA specifications.

Features

- Self-emptying, dual chambered tipping bucket
- Jeweled bearings reduce wear and friction
- Funnel screen system prevents debris from clogging gauge
- Stainless steel, Teflon coated bucket
- Corrosion resistant materials throughout
- Bubble level & adjustable feet assure proper mounting
- Optional heating elements for frozen conditions



Specifications

Precipitation Gauges

MODEL NUMBER	FUNNEL DIAMETER	STANDARD CALIBRATION	OPTIONAL CALIBRATION
370	8 inch (20.3 cm)	0.01 in	0.2 or 0.25 mm
372	8 inch (20.3 cm)	0.5 mm	N/A
380	12 inch (30.5 cm)	0.01 in	0.2 or 0.25 mm
382	12 inch (30.5 cm)	0.1 mm	N/A

Precipitation & Snow Gauges

MODEL NUMBER	FUNNEL DIAMETER	STANDARD CALIBRATION	OPTIONAL CALIBRATION	POWER REQUIREMENT
375	8 inch (20.3 cm)	0.01 in	0.2 or 0.25 mm	115 VAC, 315 watts
376	8 inch (20.3 cm)	0.01 in	0.2 or 0.25 mm	220 VAC, 315 watts
377	8 inch (20.3 cm)	0.5 mm	N/A	115 VAC, 315 watts
379	8 inch (20.3 cm)	0.5 mm	N/A	220 VAC, 315 watts
385	12 inch (30.5 cm)	0.01 in	0.2 or 0.25 mm	115 VAC, 315 watts
386	12 inch (30.5 cm)	0.01 in	0.2 or 0.25 mm	220 VAC, 315 watts
387	12 inch (30.5 cm)	0.1 mm	N/A	115 VAC, 315 watts
389	12 inch (30.5 cm)	0.1 mm	N/A	220 VAC, 315 watts

Continued

370-380 Precipitation Gauges

Specifications

Precipitation & Snow Gauges (continued)

Heaters:	Funnel 240 watts, composite with built-in thermostat Base 75 watts, composite with built-in thermostat
Thermostat Set Point:	Funnel and base heater 40°F (4.4°C)

Common Specifications To All 370-380 Series Gauges

Operating Temperature:	-58°F to 122°F (-50°C to +50°C)
Accuracy:	±0.5% at 0.5"/hr, ±1" - 3"/hr
Switch:	Reed switch rated at 10 mA, 28 VDC (maximum)

Physical Characteristics

Height:	8 inch	18 in (46 cm)
	12 inch	20.5 in (52 cm)
Weight:	8 inch Precipitation	6 lbs (2.7 kg)
(not including cabling)	12 inch Precipitation	7.5 lbs (3.4 kg)
	8 inch Precipitation/Snow	6.5 lbs (3 kg)
	12 inch Precipitation/Snow	11.5 lbs (5.2 kg)
Finish:	White gloss textured powder coat and clear anodized aluminum	

Accessories

PN 820440	Wind Screen
-----------	-------------

The improved Alter-design screen is constructed of 32 free-swinging leaves, greatly improving the accuracy of the catchment by reducing local turbulence.

Cable (for Models 375-389)

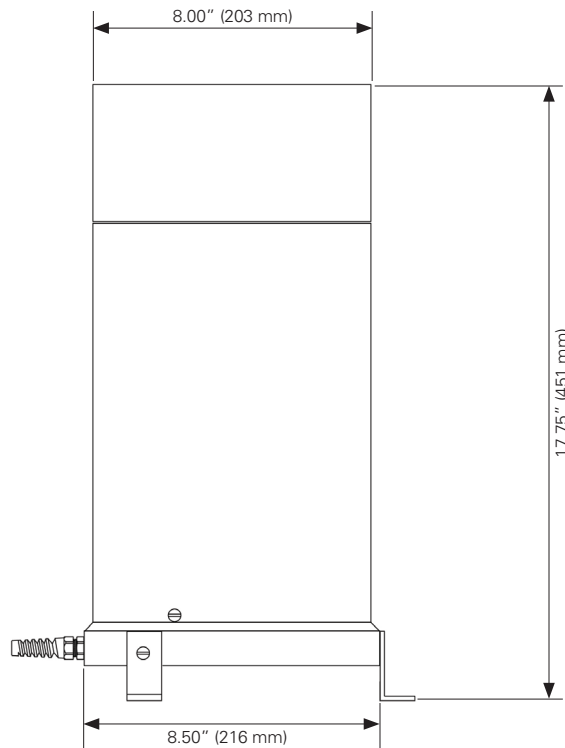
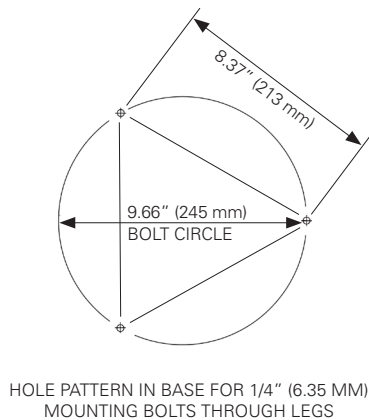
PN 1566	Signal Cable Assembly; specify length in feet or meters
PN 2517	Power Cable Assembly; specify length in feet or meters

Ordering Information

Specify model number, calibration factor, cable length(s), and accessories

Specifications are subject to change at any time.

Technical Drawing



370 Precipitation Gauge

REV MAR. 2018