

FEATURES:

- 6 ft. height extends to 10 ft.
- Collapsed length 48"
- Heavy-Duty Construction
- Aluminum & Stainless Steel
- Includes guy kit and cables.

The model 905 Tripod is a **lightweight, collapsible aluminum tripod designed for rapid deployment and retrieval**. It can be easily transported and erected by a single person. The tripod is intended to support a complement of weather or atmospheric instrumentation weighing up to 15 pounds in winds up to 90 mph when correctly anchored.

The 905 Tripod can be configured either extended out to 10 ft (3 meters) or down to 6 ft. In the extended configuration, a set of guy wires attach to the top of the extended mast and each of the tripod legs. The tripod may be secured to the ground or other mounting structures. Each leg has a bolt hole that can bolt the tripod to a rooftop or other mounting platform. When used in the field, a screw-in anchor system is utilized to hold the tripod in place. The anchor helps to prevent any accidental tipping of the tripod and extends the wind load characteristics.

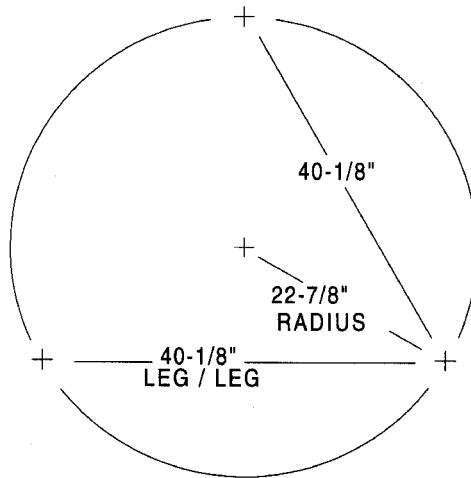
The legs can be quickly folded up or set into place using the removable locking pins located in each tripod leg center mount.

Optional Items Include the 7221 lightning rod and grounding kit. If required, a round fiber carry case is also available.



905 Tripod in Extended Position

Sensor Mount	1 Inch diameter 25.4mm 3/4 inch IPS
Tripod Weight	16 lbs (7.3 Kg)
Shipping Weight	20 lbs (9.1 Kg)
Shipping Dimensions	8 in. x 8 in. x 52 inches (20.3 cm x 20.3 cm x 132 cm)



Mounting Base Detail of 905 Tripod

Specifications are subject to change at any time.

