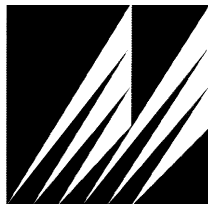




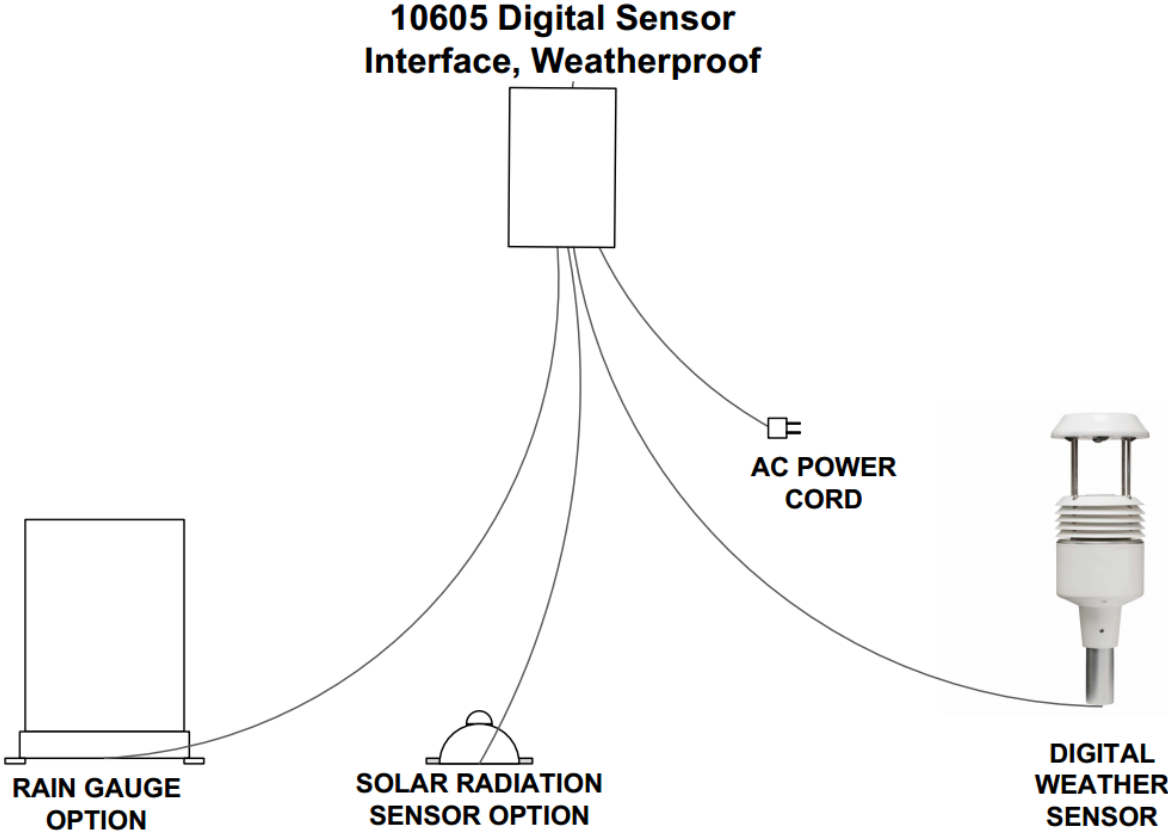
10605 Digital Sensor Interface, Weatherproof

Quick Reference Guide Revision A



10605 Digital Sensor Interface, Weatherproof

Easy Power and Data Connectivity for your Digital Weather Sensors
The 10605 Digital Sensor Interface provides power for your Digital Weather Sensor, convenient wiring connections for sensors and options, and internal USB and Serial ports for connection to PC or data recorder.



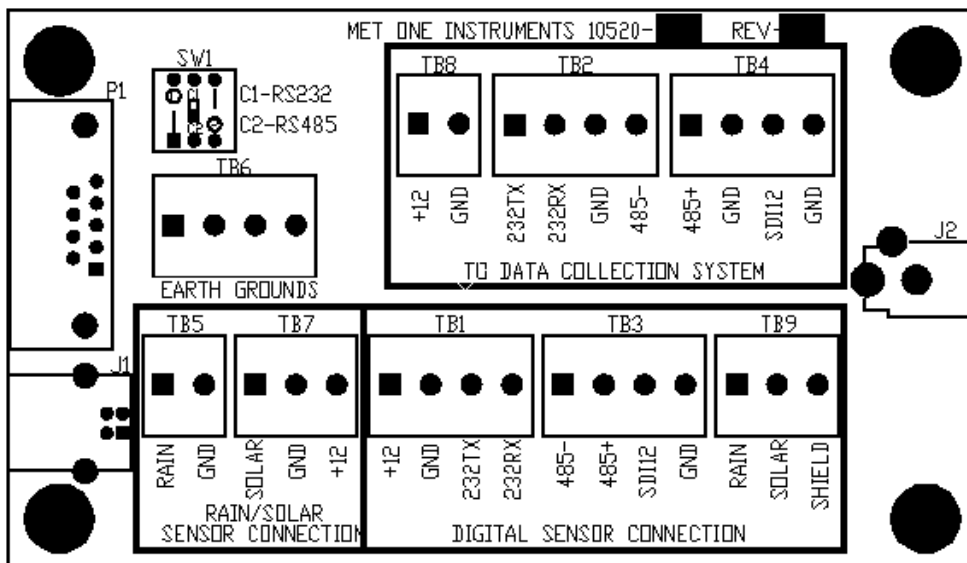
10605 Digital Sensor Interface, Weatherproof

Easy Installation

- Download and install USB Driver onto computer from Met One website.
- Remove enclosure cover from 10605 interface.
- Wire sensor cables to 10605 interface per sensor Manual.
- Replace cover.
- Connect USB or RS-232 serial cable to computer, or RS-232 or RS-485 cable to data logger or other Ambient Monitor.
- Connect AC power cord to AC outlet. Compatible with 100-240VAC and 50-60Hz power.

Wiring Overview:

- The digital sensor cable is wired to TB1/TB3/TB9 terminal blocks.
- If an external rain gauge is being used, it is connected to TB5.
- If an external solar radiation sensor is being used, it is connected to TB7.
- TB2 and TB4 can be used to pass on Digital Sensor data outputs to other devices.
- TB8 can be used to supply power to the 10605 and Digital Sensor from an existing 12VDC supply, but should not be used at the same time as the 12VDC power supply included with the 10605.
- All cable shields/earth grounds should be wired to TB6.



Simple Data Connections

The 10605 Digital Sensor Interface provides a convenient way to connect your sensors digital output wires to your computer or data logger USB or DB9 serial inputs. The 10605 is also a convenient way to connect optional Rain Gauge and Solar Radiation sensors to compatible digital sensors.

USB PC Connection

- Plug the included standard A to B USB cable into the 10600 and your PC. The computer will detect the new hardware and be available for connection.

RS-232 PC Connection

- The DB9 connector can be used with a standard RS-232 cable to output data.

Included Power Supply

- The 10605 includes a 12VDC universal power supply that powers the 10605 and any connected sensors.

Viewing Sensor Data

- If the 10605 is connected to a PC, the data output can be viewed using Met One Instruments Comet or Weatherview software, or any serial terminal program. See the manuals for those programs for instructions.

Sensor RS-232 or RS-485 selection

Switch 1 is used to select RS-232 or RS-485 input from the sensor

- Set to C1 position for RS-232 output sensor
- Set to C2 position for RS-485 output sensor